



FEATURES

- 5* 10/100 Base-T RJ45 port
- 9~56VDC and 15~40VAC dual power inputs
- Support 2K Bytes Jumbo frame
- Support 4KV surge protection; ESD: Air-15KV, Contact-8KV Protection
- IP40 Din-rail Housing
- Operating temperature -40~75 degree C

DESCRIPTION

EL-1005-T-X6SB has 5* 10/100 base-TX RJ-45 ports for your industrial applications. It is designed to work in the industrial environment, compliant with CE and RoHS standards. EL-1005-T-X6SB supports 9~56 VDC and 15~40 VAC dual power inputs that can be connected simultaneously. In addition, the wide operating temperature -40 to 75 degree C supports your industrial environment.

SPECIFICATIONS

Technology	
Standards	IEEE 802.3 10Base-T Ethernet
	IEEE 802.3u Fast Ethernet
	IEEE 802.3x Full-Duplex Flow Control
	IEEE 802.3az Energy Efficient Ethernet
Interface	
RJ-45 Ports	5* 10/100 Base-T: auto negotiation speed Full/Half-duplex mode, and auto MDI/MDI-X connection
	PWR: Power indicator (Green: On/Off) On: Power On Off: Power Off
LED Indicators	Port 1-5 Copper ports (Green: On/Blinking/Off) On: Link up Blinking: Data transmitting Off: Link down
Switching features	
Switching capacity	1G
Packet forwarding rate	0.744 Mpps
MAC address table	2K
VLAN	4K
Buffer	2K
Forwarding delay	<10us
Jumbo Frame	2K Bytes
Power	
Input	9~56VDC and 15~40VAC, redundant power inputs
Consumption	Full loading ≤4W
Max current	0.5A
Connector	Removable 4-pin Terminal Block
Reverse Polarity Protection	Present
Over-voltage protection	Present
Environment	
Operating	-40°C ~ 75°C
Storage	-40°C ~ 85°C
Ambient Relative Humidity	5%~95% non-condensing
Physical	
Housing	IP40, Din-rail
Dimension (W*D*H)	30 * 85 * 85mm
Weight	0.4 kg

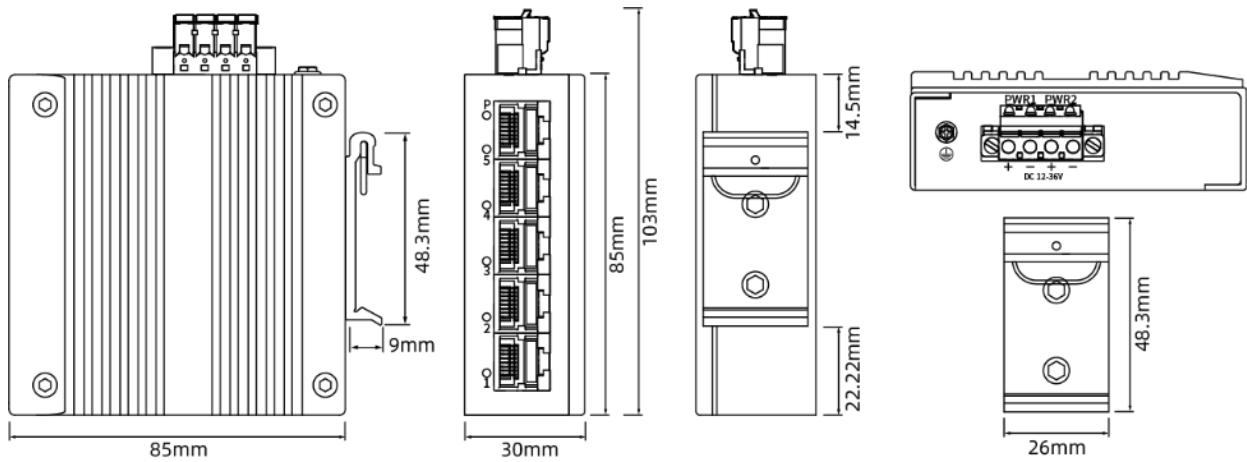
SPECIFICATIONS

Approval

CE	EN 55032:2015+A1:2020
	EN 55035:2017+A11:2020
	EN IEC 61000-3-2:2019+A1:2021
	EN61000-3-3:2013+A2:2021+AC:2022-01
	EN IEC 62368-1:2020+A11:2020
Industrial Standard	IEC 61000-4-5
	Surge protection of power: Level 3 (4KV/2KV) (8/20us)
	Surge protection of Ethernet port: Level 3(4KV/2KV) (10/700us)
	DIP: IEC 61000-4-11 Level 3 (10V)
	ESD: IEC 61000-4-2 Level 4 (8K/15K)
Vibration	IEC 60068-2-6
Shock	IEC 60068-2-27
Free Fall	IEC60068-2-32
RoHS	Compliant
Warranty	5 years

DIMENSIONS

Unit: mm



ORDERING INFORMATION

Model name	Description
EL-1005-T-X6SB	5-port 10/100Base-T RJ45 port 9~56VDC and 15-40VAC, redundant dual power supply, IP40 Din-rail, Operating temperature -40°C ~ +75